

---

## RANGE SUMMARY

---

The PowerSafe™ SBS Front Terminal battery range utilizes unique and proven technology to provide a superior range of valve regulated batteries with an extended service life in compact and energy dense configurations. PowerSafe SBS batteries are manufactured to the highest international standards and are ideal for reliable use in all wireless and fixed-line communication applications. PowerSafe SBS batteries are also widely used in cable TV, emergency lighting, power generation and offshore applications.

The PowerSafe SBS Front Terminal battery models are smaller and lighter than conventional lead-calcium batteries. Smaller dimensions, front terminal configuration and capacity range from 31Ah to 190Ah, make PowerSafe SBS Front Terminal battery models ideal for a wide range of telecom Outside Plant (OSP) and small Central Office (CO) applications. The PowerSafe SBS Front Terminal battery models can be installed in cabinets and 19" or 23" racks. For CO applications a six shelf, NEBS certified rack is available. Multiple string configurations allow battery capacity to be matched to the load and increases system reliability.

PowerSafe SBS batteries are designed to cope with elevated temperatures and harsh environments. The advanced thin plate, pure lead technology and unique manufacturing methods, used by EnerSys®, make PowerSafe SBS batteries the choice for long and trouble-free service.

PowerSafe SBS EON Technology™ batteries have been developed to provide high cycling and fast recharge performance in applications where the power supply is erratic.

### Features & Benefits

- Capacity range: 31Ah - 190Ah
- 12V monobloc configurations
- Proven long service
- High energy density
- Up to two year shelf life
- Very low ventilation requirement
- Wide operating temperature range:  
-40°F (-40°C) to 122°F (50°C)



**EnerSys®**

Power/Full Solutions

RESERVE  
POWER

## Construction

- Positive plates - pure lead grids manufactured using a unique process
- Negative plates - provide perfect balance with the positive plates to ensure optimum recombination efficiency
- Separators - superior quality microporous glass matt separators with high absorption and stability
- Containers and lids - UL94 V-0 rated flame retardant material, highly resistant to shock and vibration
- Electrolyte - high grade dilute sulfuric acid absorbed into separator material
- Patented terminal design - leak resistant dual seal terminal design
- Self-regulating pressure relief valves - prevent ingress of atmospheric oxygen

- Flame arrestors - built into each bloc for increased operational safety
- Flexible lifting handles - on PowerSafe™ SBS C11 and larger models for ease of handling during transport and installation
- Terminal insulating covers - fitted as standard for added safety

## Installation & Operation

- PowerSafe Front Terminal battery models are designed for installation in cabinets and racks. A separate battery room is not necessary
- Recommended float charge voltage:  
2.27Vpc at 77°F (25°C)  
2.29Vpc at 68°F (20°C)
- Up to two year shelf life
- Reduced maintenance:  
no water addition required

## Standards

- Designed to be compliant with IEC60896-21 & 22
- Designed to be compliant with Telcordia SR-4228
- Recognized by UL (UL Standard 1989)
- Approved as non-hazardous cargo for ground, sea and air transportation in accordance with US DOT Regulation 49 and ICAO & IATA Packing Instruction 806
- NEBS Certified
- Manufactured in EnerSys® ISO 9001:2000 and ISO 14001:2004 certified production facilities

## General Specifications

Type	Number of Cells	Nominal Voltage (V)	Nominal Capacity (Ah)		Nominal Dimensions						Typical Weight kg lbs	Short Circuit Current (A) <sup>(1)</sup>	Internal Resistance (mΩ) <sup>(1)</sup>	Terminals	
			10 hr rate to 1.80Vpc @ 20°C	8 hr rate to 1.75Vpc @ 77°F	Length mm in	Width mm in	Height mm in								
SBS B8F <sup>(3)</sup>	6	12	31	31	303	11.9	97	3.8	159	6.3	10.3	22.7	1584	7.7	M6 M
SBS B10F	6	12	38	38	303	11.9	97	3.8	184	7.2	12.8	28.2	1968	6.2	M6 M
SBS B14F <sup>(4)</sup>	6	12	62	62	303	11.9	97	3.8	264	10.4	19.1	42.0	3210	3.8	M6 M
SBS C11F <sup>(2,4)</sup>	6	12	92	91	417	16.4	105	4.1	257	10.1	28.0	61.6	3696	3.3	M6 M
SBS 100F <sup>(2,4)</sup>	6	12	100	100	395	15.6	108	4.3	287	11.3	32.6	71.9	2210	5.6	M6 M
SBS 145F <sup>(2,4)</sup>	6	12	145	145	455	17.9	173	6.8	238	9.4	47.6	105	4100	3.0	M6 M
SBS 170F <sup>(2,4)</sup>	6	12	170	170	561	22.1	125	4.9	283	11.1	52.5	115.7	3400	4.0	M6 M
SBS 190F <sup>(2,4)</sup>	6	12	190	190	561	22.1	125	4.9	316	12.4	60.0	132.3	3800	3.3	M6 M

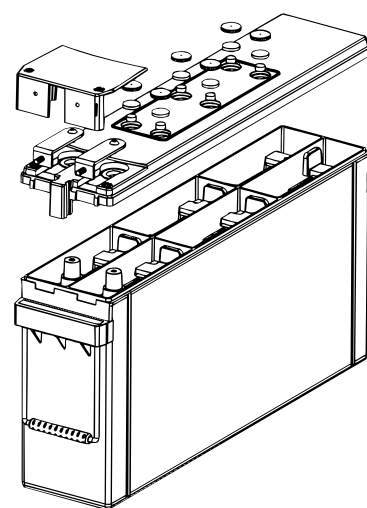
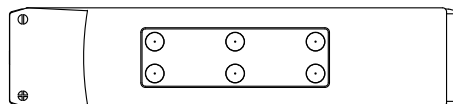
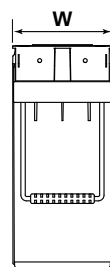
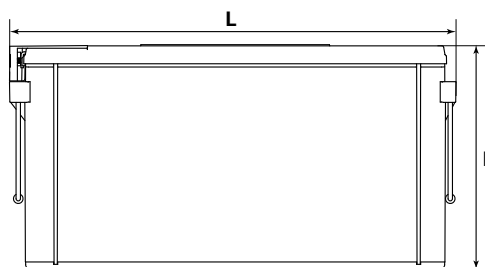
### Notes

<sup>(1)</sup> Figures obtained by IEC method.

<sup>(2)</sup> Lifting handles on SBS C11F and SBS100F-190F.

<sup>(3)</sup> SBS B8F is available with a harness terminating in a 2-pin polarized plug-in connector, which is compatible with embedded power SLC systems.

<sup>(4)</sup> EON Technology.



www.enersys.com

**EnerSys**  
P.O. Box 14145  
Reading, PA 19612-4145  
USA  
Tel: +1-610-208-1991  
+1-800-538-3627  
Fax: +1-610-372-8613

**EnerSys Europe**  
Zurich, Switzerland

**EnerSys Asia**  
Guangdong, China  
Tel: +86-755-2689 3639

Distributed by:

© 2008 EnerSys. All rights reserved.  
Trademarks and logos are the property of EnerSys and its affiliates unless otherwise noted.